

Coffee System
Coffee Grinder with Hopper, 0,7
kg, black with UK plug

ITEM # _____

MODEL # _____

NAME # _____

SIS # _____

AIA # _____



600790 (E835BUK)

* NOT TRANSLATED *

Main Features

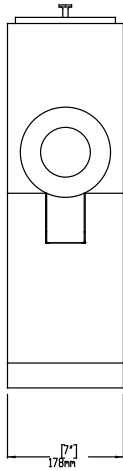
- Easy-to-Follow instructions.
- Fast grind time.
- Steep slope hopper promotes a bean flow without blocking.
- Ideal for all self-service applications, including grocery stores and specialty shops.
- How to Operate:-1. Turn the selector knob to the desired grind setting.-2. Fill the hopper with the desired type and amount of whole bean coffee. Close the lid.-3. Place the bag underneath the spout.-4. Press the start button.-5. Press the stop button after the grinder has completed grinding.-6. Remove bag from coffee spout once coffee is ground.

Construction

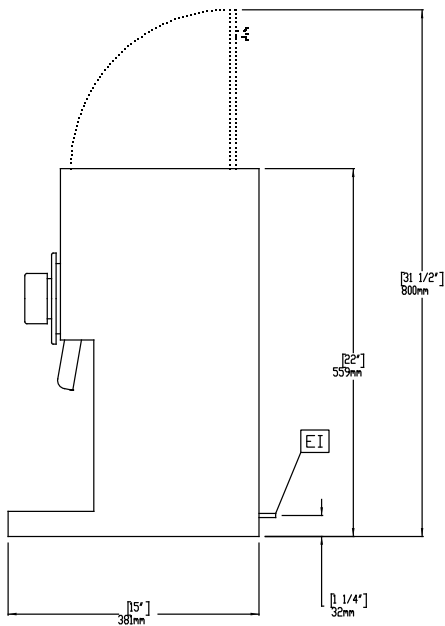
- Powerful motor with circuit breaker.
- Separate start/stop push buttons.
- Precision burrs.
- Stainless steel tidy tray with pull out drawer.
- Stainless steel front panel.

APPROVAL: _____

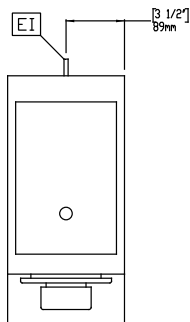
Front



Side



Top



Electric

Supply voltage:

600790 (E835BUK) 230 V/1N ph/50 Hz

Electrical power max.:

0.8 kW

Key Information:

External dimensions, Width:	178 mm
External dimensions, Depth:	381 mm
External dimensions, Height:	559 mm
Net weight:	18 kg
Shipping weight:	ISO 9001; ISO 14001 kg
Shipping height:	699 mm
Shipping width:	318 mm
Shipping depth:	470 mm
Shipping volume:	0.1 m ³